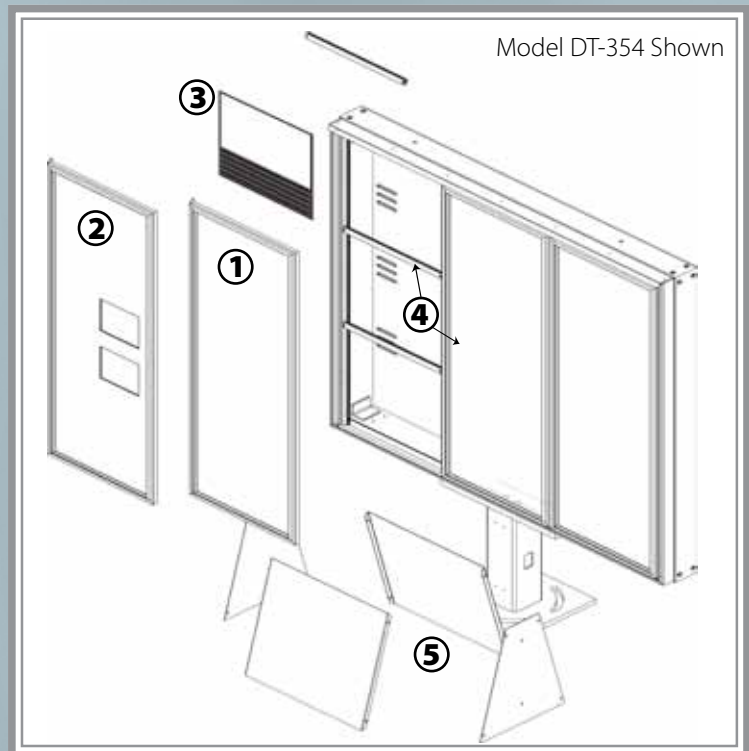
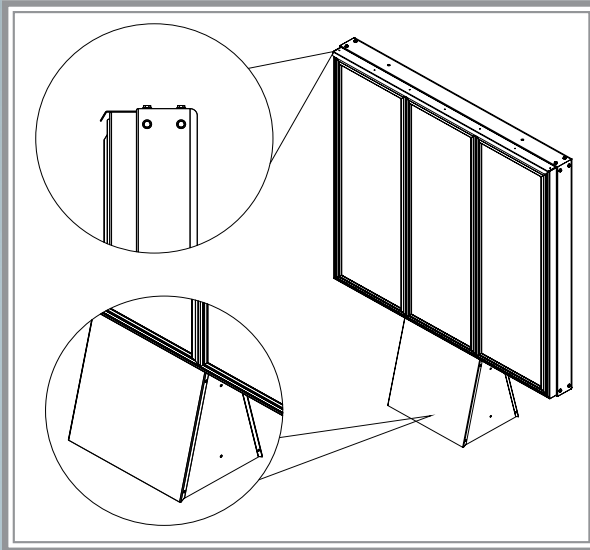


Drive-Thru Choice Parts Identification

Drive-Thru Choice offered 13 sizes. Parts other than main outer frame are the same size.

Identifying a Drive-Thru Choice unit

The Drive-Thru Choice has a flush trim profile with a slight ridge and an angled base shroud that covers the base plate.



[Click here to view panel configurations & pricing](#)

Drive-Thru Choice System			
# on Diagram	Item Description	Size	Our Part #
Doors			
1	18" wide with plastic complete	18"W x 54"H	A101744-001
1	27" wide with plastic complete	27"W x 54"H	A101744-002
2	18" wide with holes in plastic for spkr/mic	18"W x 54"H	Special Order
2	27" wide with holes in plastic for spkr/mic	27"W x 54"H	Special Order
Panels			
3	5 panel variations measuring 18"W x 18"H are available	18"W x 18"H	Click to view part numbers & price
3	7 panel variations measuring 18"W x 27"H are available	18"W x 27"H	Click to view part numbers & price
3	5 panel variations measuring 27"W x 27"H are available	27"W x 27"H	Click to view part numbers & price
Electrical Components - Not shown in diagram			
N/A	Complete fixture	4"W x 48"H	L100290-002(no lamps)
N/A	Ballast only		Not Available only sold as part of fixture
N/A	Lamps	Purchase locally	F32T8SPX41-eco
Panel Dividers			
4	Vertical pieces---either outside left or outside right		M101409-001
4	Vertical pieces---center divider pieces		M101410-002
4	Horizontal pieces		M100012-018
Shroud parts			
5	Front		Special Order (Call with color/allow 2 weeks)
5	Sides		Special Order (Call with color/allow 2 weeks)
Miscellaneous - Not shown in diagram			
N/A	Locks Assembly (incl. screw, nut, e-ring, washer) 1 per kit		K101075-006
N/A	Phillips head screwdriver to open	Purchase locally	Not available
N/A	Fan kit for cooling		K100219-003



HOWARD
Results At The Point-Of-Purchase

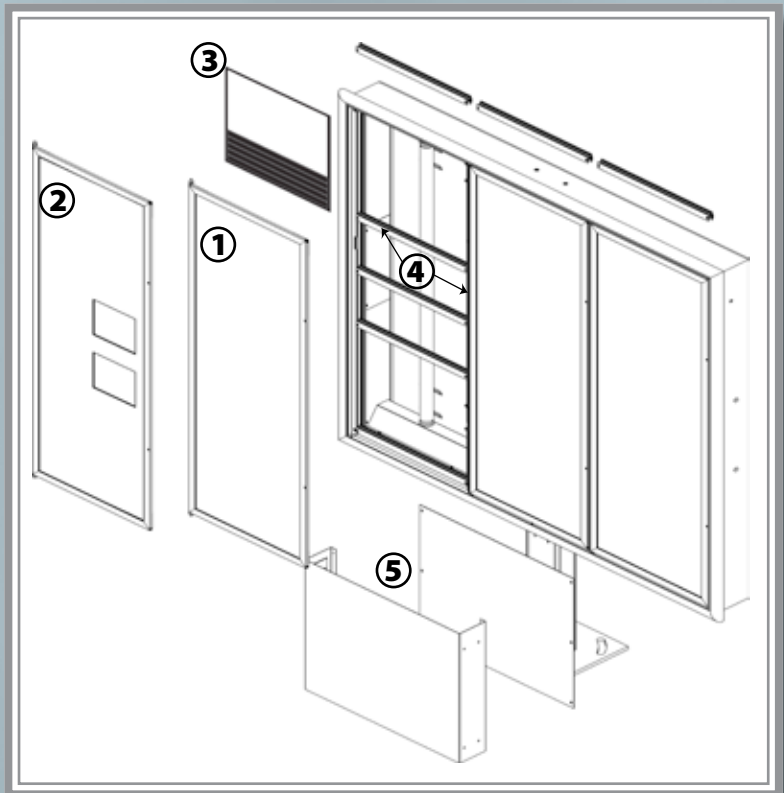
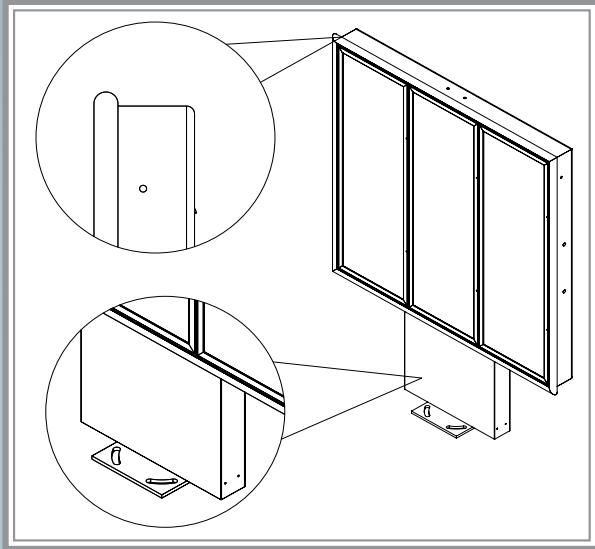
Phone: 800-782-6222
Email: info@howardcompany.com
Website: www.howardcompany.com



LXD Drive-Thru Parts Identification

Identifying an LXD unit

The LXD system has a rounded, bulbous trim profile and a straight base shroud that does not cover the base plate.



[Click here to view panel configurations & pricing](#)

LXD Metal System

# on Diagram	Item Description	Size	Our Part #
Doors			
1	18" wide with plastic complete	18"W x 54"H	A100003-001
2	18" wide with holes in plastic for spkr/mic	18"W x 54"H	A100035-008
Panels			
3	5 panel variations measuring 18"W x 18"H are available	18"W x 18"H	Click to view part numbers & price
3	7 panel variations measuring 18"W x 27"H are available	18"W x 27"H	Click to view part numbers & price
3	5 panel variations measuring 27"W x 27"H are available	27"W x 27"H	Click to view part numbers & price
Electrical Components - Not shown in diagram			
N/A	Ballasts		L501018-001
N/A	Lamps	Purchase locally	F48T12/CW/HO 60w
Panel Dividers			
4	Vertical pieces		Not available/obsolete
4	Horizontal pieces		Not available/obsolete
Shroud parts			
5	Front		Not available/obsolete
5	Sides		Not available/obsolete
Miscellaneous - Not shown in diagram			
N/A	Locks Assembly (incl. screw, nut, e-ring, washer) 1 per kit		K100226-001
N/A	Hex head key		H515270-001
N/A	Fan kit for cooling		K100219-003



Phone: 800-782-6222
 Email: info@howardcompany.com
 Website: www.howardcompany.com

