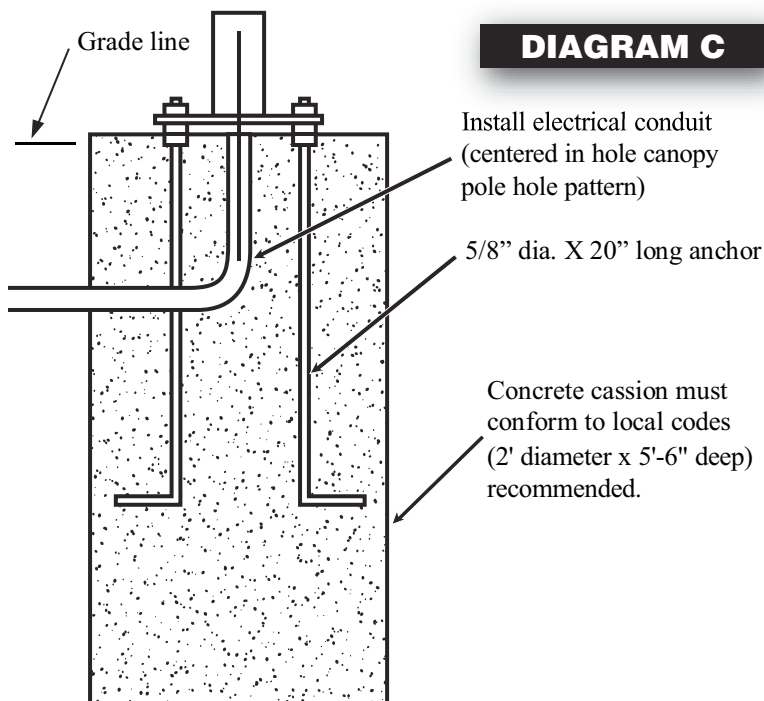


OUTDOOR CANOPY FOUNDATION GUIDE

1. Before beginning the installation, check that you have all the required hardware:
w/foundation kit: (4) Anchor bolts, (8) Hex Nuts w/unit: (4) Hex nuts, (8) Flat washers, (4) Lock washers

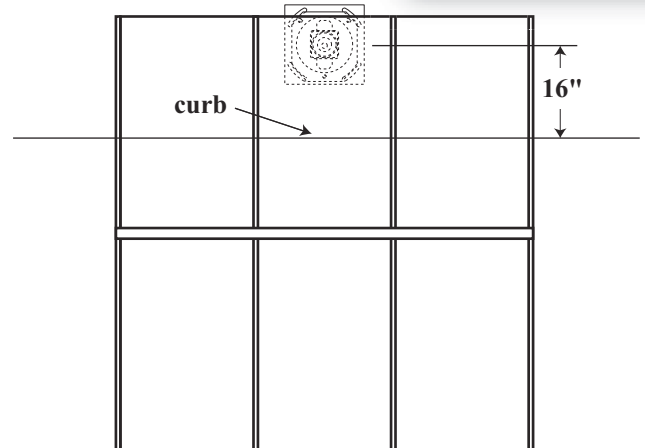
2. Determine whether the canopy will be installed on a curved or straight drive (see **Diagrams A or B**). Follow the proper detail for information about locating the canopy. Note: These diagrams are to be used as a guide only; if they cannot be followed exactly, some modifications should be made to allow for the best suited location for your installation.

3. In the desired location, construct mounting post foundation referencing **Diagram C** and in accordance with local codes.



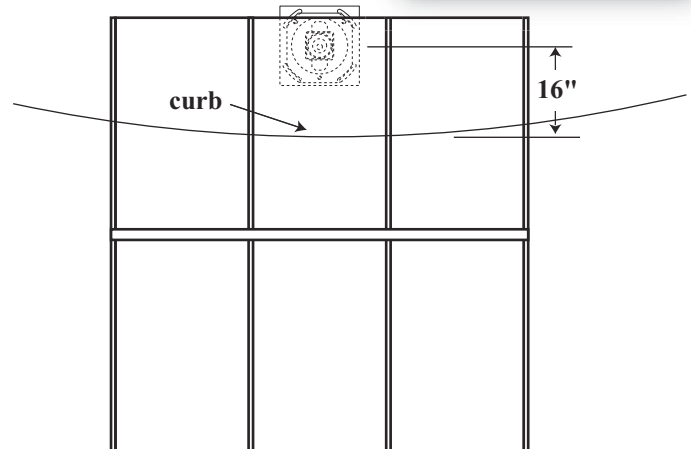
**FOUNDATION CONSTRUCTION
(below grade)**

DIAGRAM A



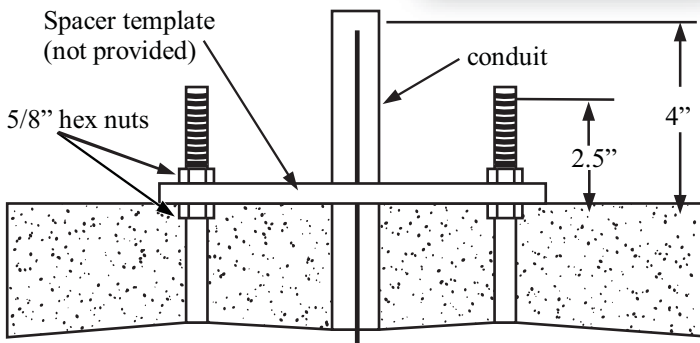
**CANOPY LOCATION/POSITIONING
(straight drive)**

DIAGRAM B



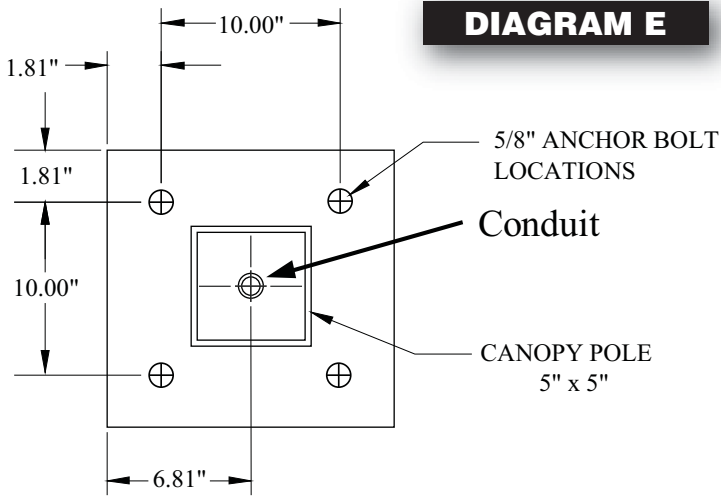
**CANOPY LOCATION/POSITIONING
(curved drive)**

DIAGRAM D



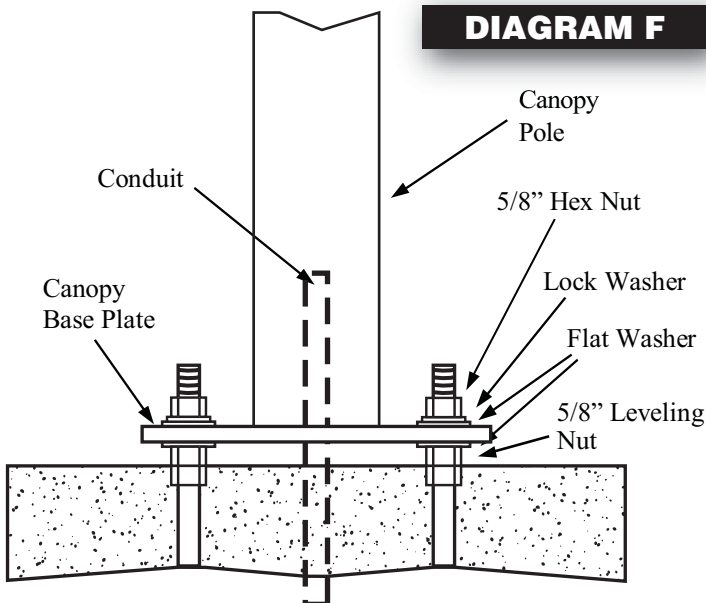
**FOUNDATION CONSTRUCTION
(above grade)**

DIAGRAM E



**CANOPY ANCHOR BOLT LOCATIONS
(above grade)**

DIAGRAM F



CANOPY POLE MOUNTING

4. The high voltage conduit must be installed in place by a qualified contractor. It runs from the source power to the canopy location. A conduit stub should protrude 4" above the concrete slab. Power and ground leads should be pulled through the conduit approximately 30" beyond the conduit stub and accessible at the time of final wiring.

5. After the location is established, pour the concrete footing per local codes. While the concrete is still soft, insert the four anchor bolts. NOTE: one nut must be threaded onto each anchor bolt and sunk into the concrete, flush with the top of the nut. A template should be constructed in accordance to **Diagram F** and placed onto the nuts flush with the concrete. Secure the template in place with 4 more nuts (**see Diagram D**).

6. After the concrete has set, remove the template and discard. Note: Do not discard the four nuts that were just removed.

7. The canopy is now ready to be mounted. Remove any concrete residue from the threads of the anchor bolts. Thread one nut onto each bolt until it stops; then put a flat washer over each bolt. Feed the 120VAC power lines and ground lead into the pedestal base and place the unit onto the foundation making sure all of the anchor bolts are positioned in the corresponding canopy pole holes. Secure the unit with flat washers, lock washers, and 5/8" hex nuts (**see Diagram F**).

8. Level the unit by adjusting the upper and lower hex nuts until the canopy pole is level and tighten the nuts.

9. The canopy is factory wired & needs only to be energized on the job site. This should only be done by a qualified electrician.