

DayPart Series

Double sided, rotating lightbox with sleek, curved face makes displaying daypart menus a breeze!



Landscape



Side View



Portrait



Features:

- Single module measures 28 1/2" x 26 1/2" overall
- Use the lightbox in portrait or landscape orientation
- Lightbox manually rotates 180° to display second graphic
- Lightbox articulates every 22.5° to adjust for different viewing angles
- Modules mount side-by-side to create multi-piece system
- Includes super bright, "green" energy efficient lighting components
- Curved face panel holds 20" x 25 5/8" translite
- All graphics are customized per order
- Lo-tac changeable pricing is included
- 10 day lead time
- Ships via UPS



Phone: 800-782-6222

Email: info@mainstreetmenus.com

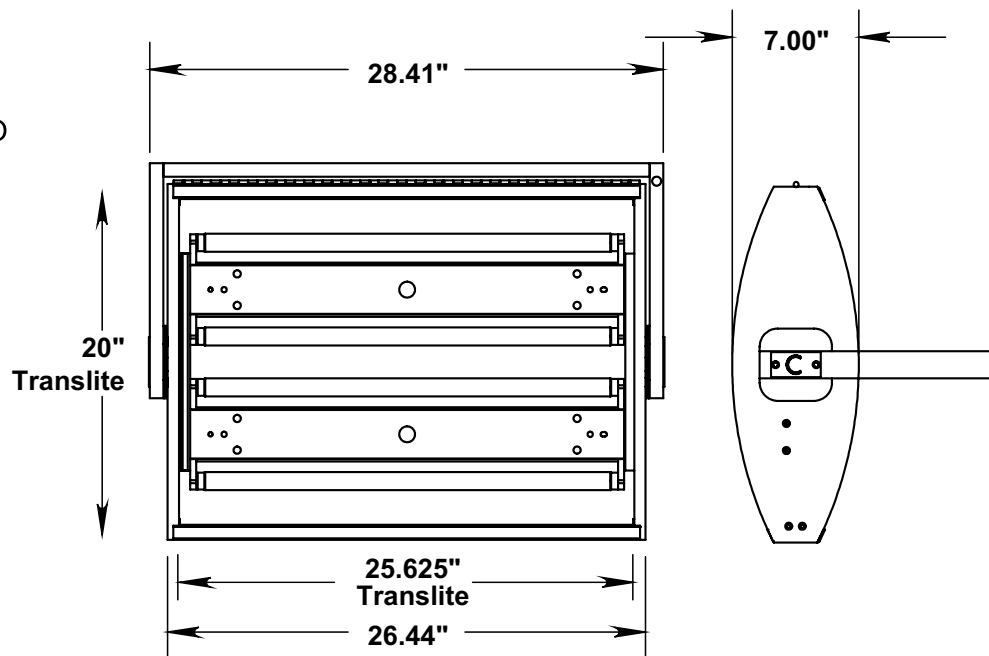
Fax: 262-782-6515

Website: www.mainstreetmenus.com

DayPart Series

Specifications:

110v 60Hz
1.12 Amps per box
(4) F17T8 SP41 ECO
Lamps



Easy slide-in translite change



Each lightbox turns 180° for daypart changes



Phone: 800-782-6222
Email: info@mainstreetmenus.com

Fax: 262-782-6515
Website: www.mainstreetmenus.com